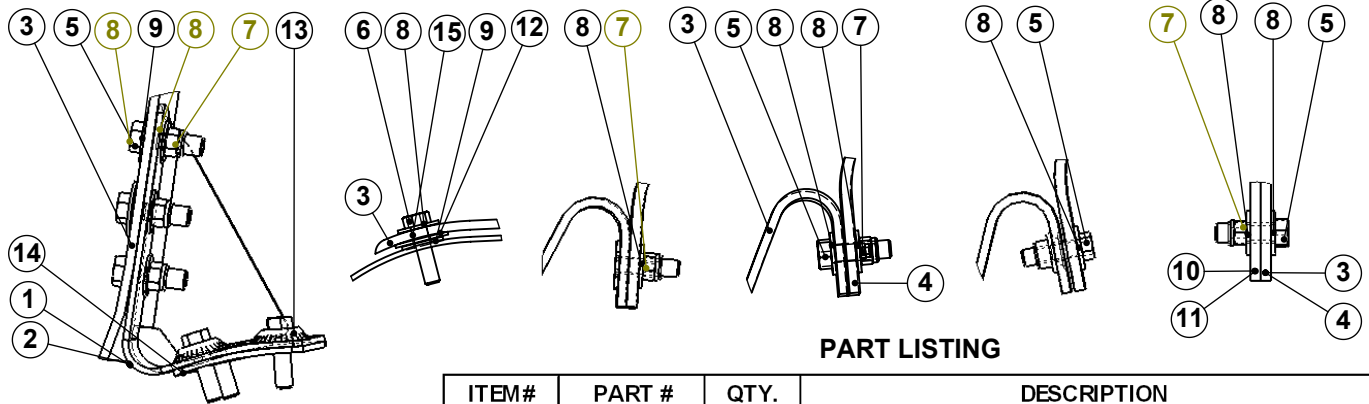
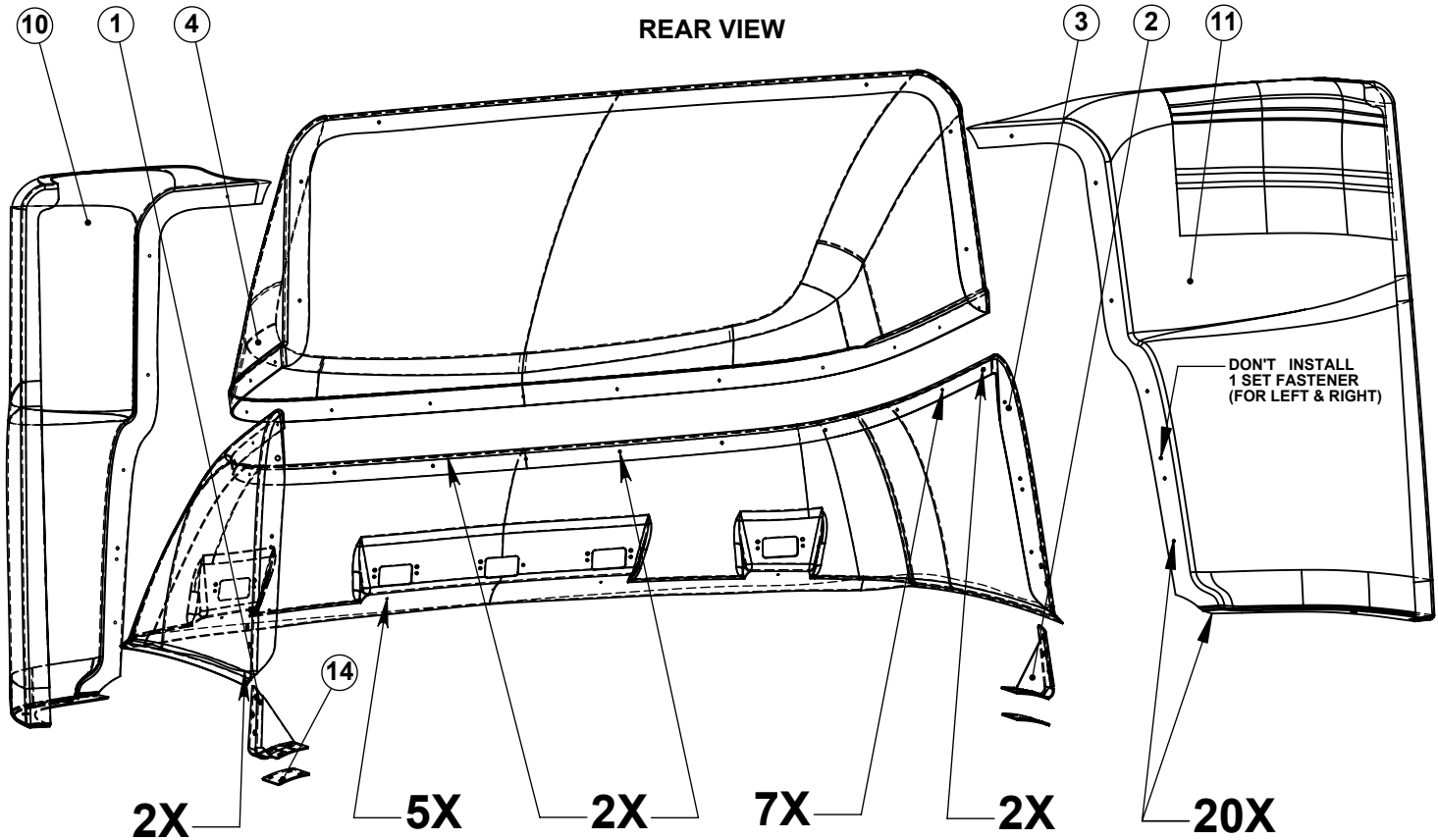




INSTALLATION PARTS LISTING - AIR FAIRING (STERLING DAY CAB)



PART LISTING

RECOMMENDED TORQUE SPECS

| BOLT SIZE | TORQUE (FT./LBS) | |
|-----------|------------------|-----|
| | MIN | MAX |
| M8 | 20 | 25 |

| ITEM# | PART # | QTY. | DESCRIPTION |
|-------|--------|------|--|
| 1 | BL200 | 1 | BRACKET LEFT (DRIVER'S SIDE) |
| 2 | BR200 | 1 | BRACKET RIGHT (PASSENGER'S SIDE) |
| 3 | FB200 | 1 | AIR FAIRING BOTTOM PART |
| 4 | FT200 | 1 | AIR FAIRING TOP PART |
| 5 | SC201 | 35 | SS HEX CAP SCREW M8X1.25X25 |
| 6 | SC202 | 5 | SS HEX CAP SCREW M8X1.25X30 |
| 7 | NU201 | 35 | SS NY LON INSERT HEX NUT M8X1.25 |
| 8 | WA201 | 75 | SS FLAT WASHER ID 0.34" OD 1.0" X.062" THICK. |
| 9 | WA202 | 11 | RUBBER WASHER ID 3/8" OD 1.0" 1/8" THICK. NEOPRENE 65-75 SHORE A |
| 10 | TL205 | 1 | LEFT SIDE TRIM TAB (DRIVER'S SIDE) |
| 11 | TR205 | 1 | RIGHT SIDE TRIM TAB (PASSENGER'S SIDE) |
| 12 | WA203 | 5 | RUBBER WASHER PEEL STICK |
| 13 | SC203 | 6 | HEX CAP PILOT PATCH G9.8 M8X1.25X35 |
| 14 | BP201 | 2 | BRACKET PAD - FREIGHTLINER PART# F6HT 90537A02 AA |
| 15 | BS383 | 5 | NY LOM SPACER 0.375X1" OD |

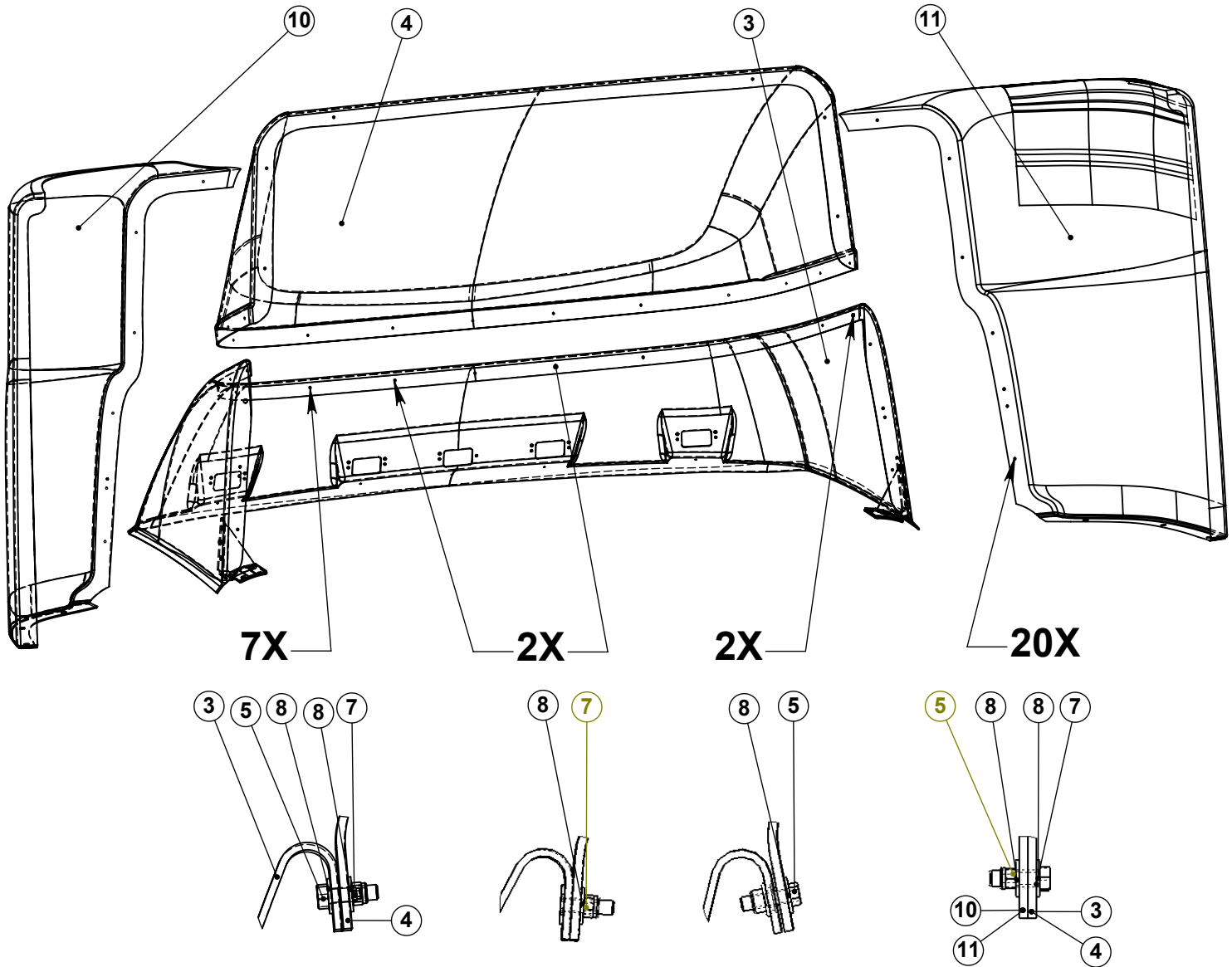


Laydon Composite LTD.
2109 Wycroft Rd.
Oakville, ON, L6L 5L7
CANADA

Tel: (905)829-9200
Fax: (905)829-9701



INSTALLATION PARTS LISTING - AIR FAIRING (FOR DEALER) (STERLING DAY CAB)



DO NOT TIGHTEN FASTENERS BEFORE ALL ARE INSTALLED

PART LISTING

RECOMMENDED TORQUE SPECS

| BOLT SIZE | TORQUE (FT./LBS) | |
|-----------|------------------|-----|
| | MIN | MAX |
| M8 | 20 | 25 |

| ITEM# | PART # | QTY. | DESCRIPTION |
|-------|--------|------|---|
| 3 | FB200 | 1 | AIR FAIRING BOTTOM PART |
| 4 | FT200 | 1 | AIR FAIRING TOP PART |
| 5 | SC201 | 29 | SS HEX CAP SCREW M8X1.25X25 |
| 7 | NU201 | 29 | SS NYLON INSERT HEX NUT M8X1.25 |
| 8 | WA201 | 58 | SS FLAT WASHER ID 0.34" OD 1.0" X.062" THICK. |
| 10 | TL205 | 1 | LEFT SIDE TRIM TAB (DRIVER'S SIDE) |
| 11 | TR205 | 1 | RIGHT SIDE TRIM TAB (PASSENGER'S SIDE) |

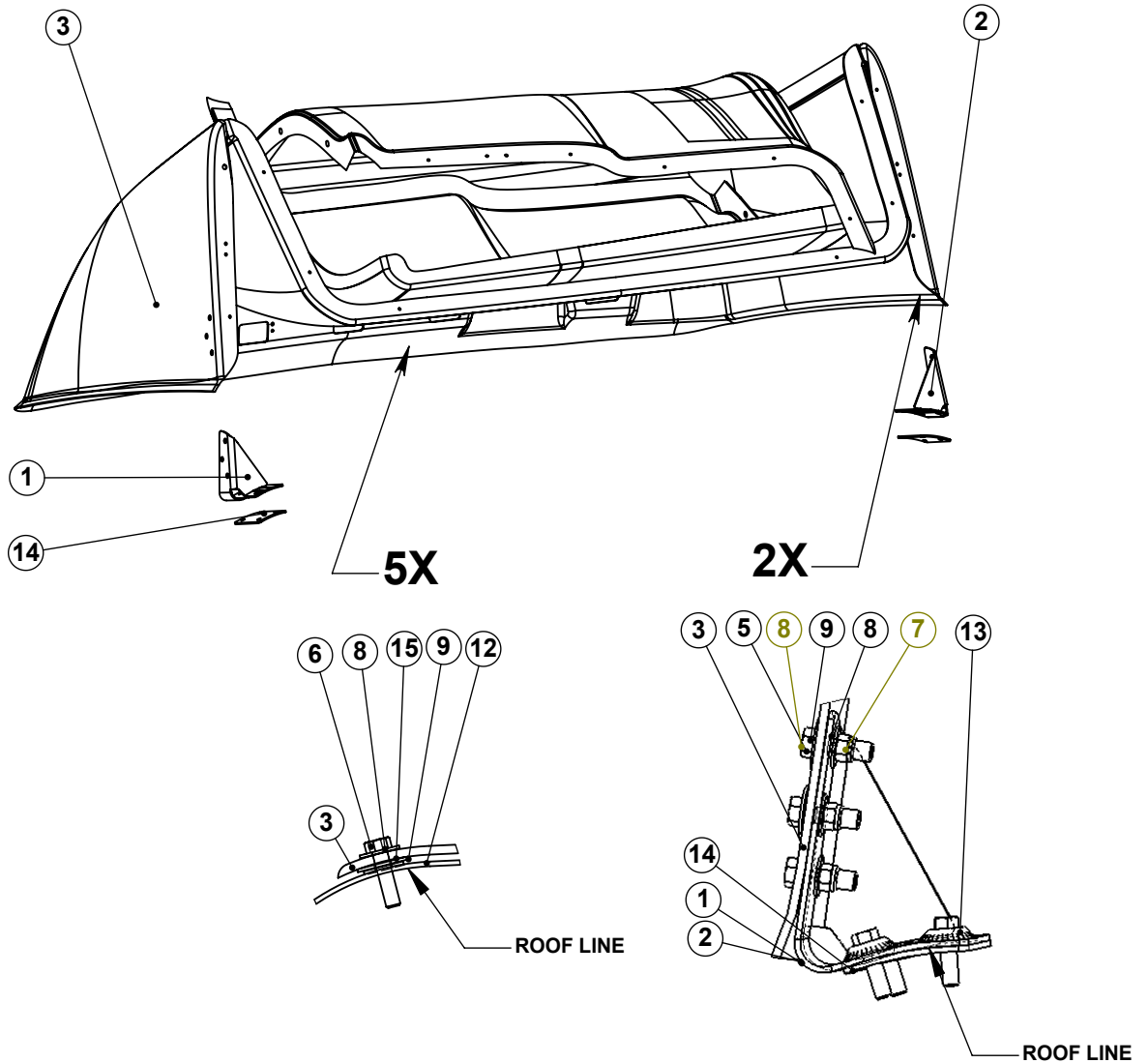


Laydon Composite LTD.
2109 Wycroft Rd.
Oakville, ON, L6L 5L7
CANADA

Tel: (905)829-9200
Fax: (905)829-9701



INSTALLATION PARTS LISTING - AIR FAIRING (STERLING DAY CAB)



PART LISTING

RECOMMENDED TORQUE SPECS

| BOLT SIZE | TORQUE (FT./LBS) | |
|-----------|------------------|-----|
| | MIN | MAX |
| M8 | 20 | 25 |

| ITEM# | PART # | QTY. | DESCRIPTION |
|-------|--------|------|--|
| 1 | BL200 | 1 | BRACKET LEFT (DRIVER'S SIDE) |
| 2 | BR200 | 1 | BRACKET RIGHT (PASSENGER'S SIDE) |
| 3 | FB200 | 1 | AIR FAIRING BOTTOM PART |
| 5 | SC201 | 6 | SS HEX CAP SCREW M8X1.25X25 |
| 6 | SC202 | 5 | SS HEX CAP SCREW M8X1.25X30 |
| 7 | NU201 | 6 | SS NYLON INSERT HEX NUT M8X1.25 |
| 8 | WA201 | 17 | SS FLAT WASHER ID 0.34" OD 1.0" X.062" THICK. |
| 9 | WA202 | 11 | RUBBER WASHER ID 3/8" OD 1.0" 1/8" THICK. NEOPRENE 65-75 SHORE A |
| 12 | WA203 | 5 | RUBBER WASHER PEEL STICK |
| 13 | SC203 | 6 | HEX CAP PILOT PATCH G9.8 M8X1.25X35 |
| 14 | BP201 | 2 | BRACKET PAD - FREIGHTLINER PART # F6HT 90537A02 AA |
| 15 | BS383 | 5 | NYLON SPACER 0.375X1" OD |



Laydon Composite LTD.
2109 Wycroft Rd.
Oakville, ON, L6L 5L7
CANADA

Tel: (905)829-9200
Fax: (905)829-9701