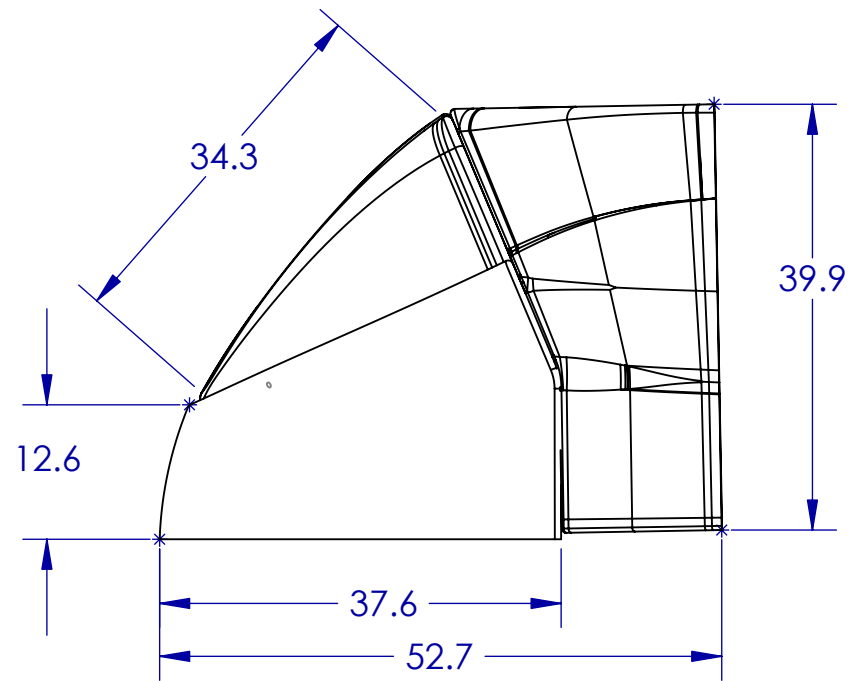
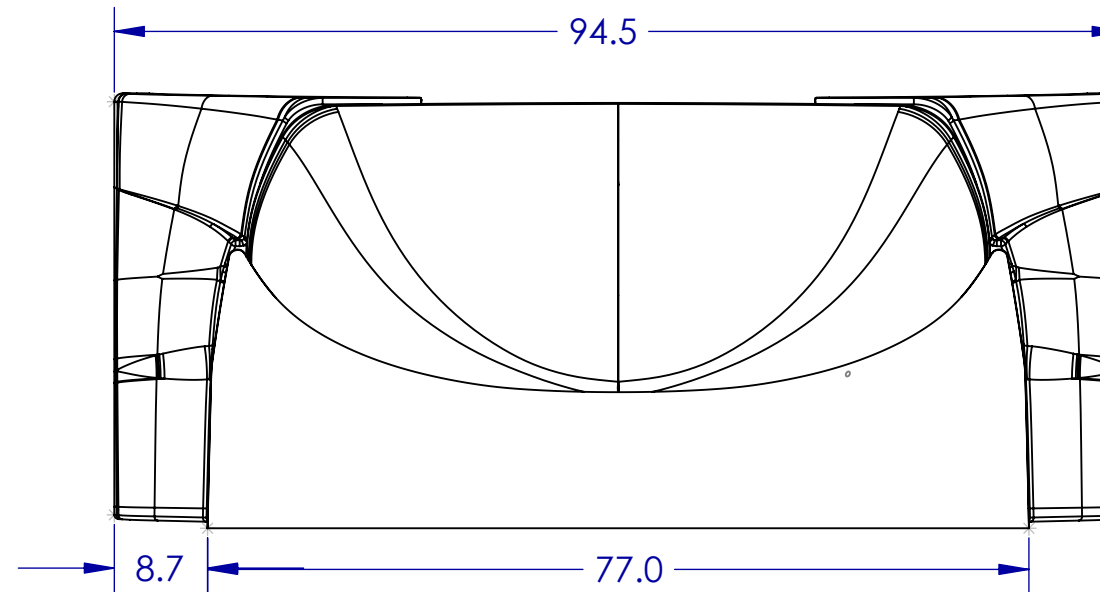


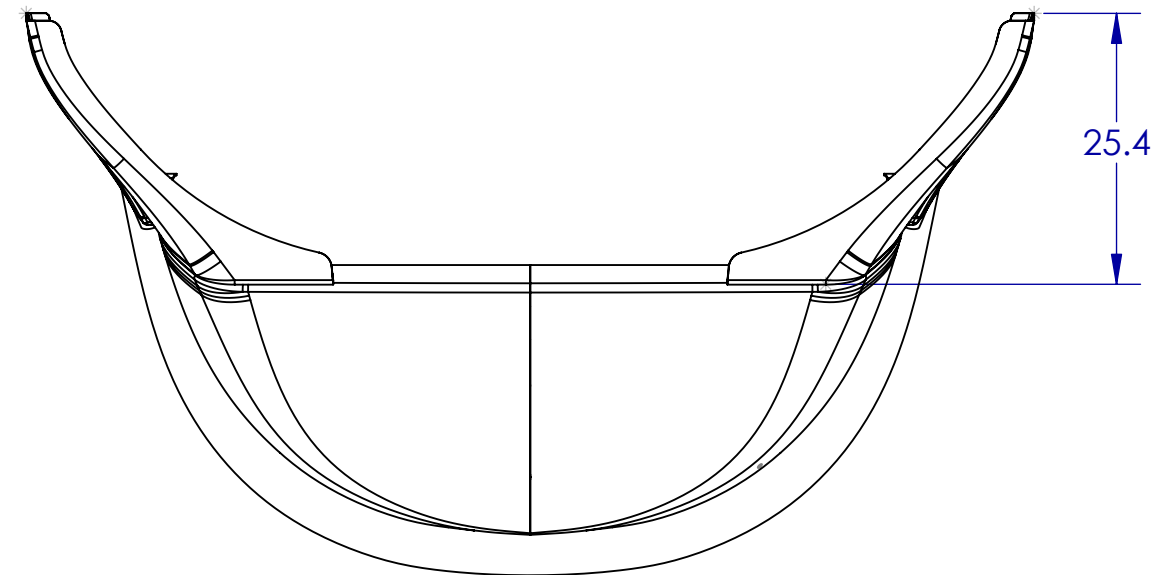
REV.	DESCRIPTION	DATE



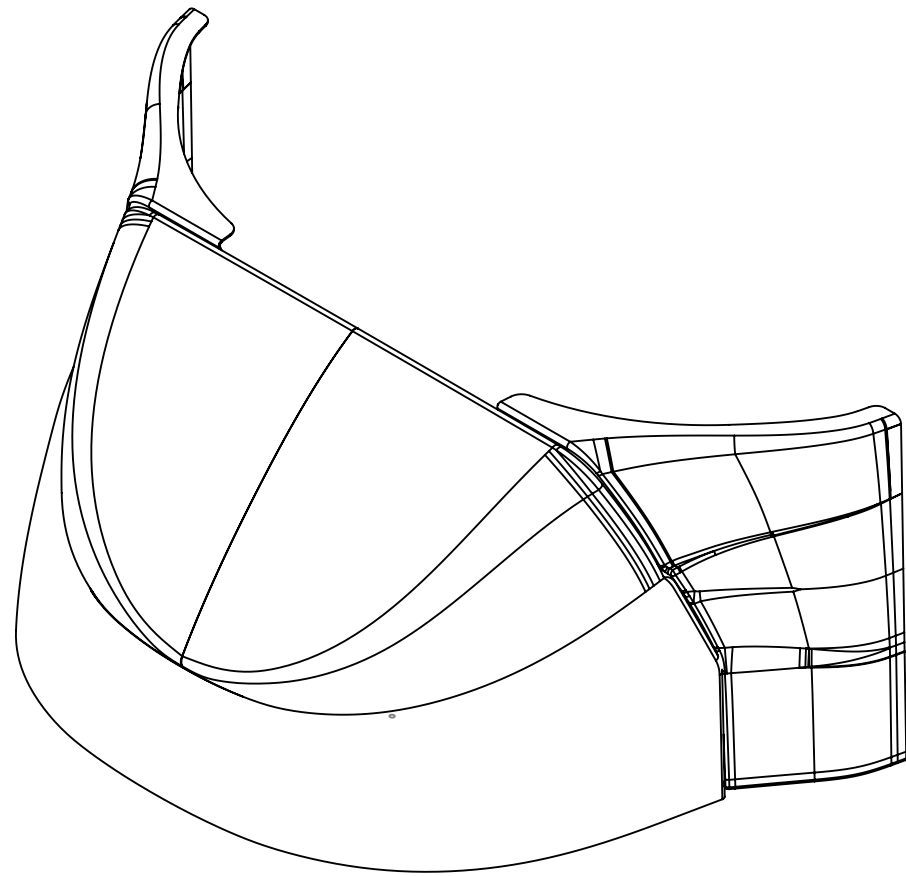
SIDE VIEW




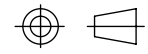

FRONT VIEW



TOP VIEW



ISO VIEW

 LCL 2109 Wyecroft Road Oakville, Ontario L6S 5L7 CANADA Tel: (905) 829-9200 Fax: (905) 829-9701	This drawing is the exclusive property of LCL, is subject to copyright protection, and is strictly confidential. Reproduction in whole or in part is prohibited without written permission from LCL.		MATERIAL HEAT TREATMENT N/A		WEIGHT 43.4 kg
	FINISH N/A		DRAWING NO. LCL 1180-000-000		REV 0
THIRD ANGLE PROJECTION  DIMENSIONS ARE IN INCHES ANGLES ARE IN DEGREES		STANDARD FINISH 	TOLERANCES UNLESS OTHERWISE SPECIFIED MACHINING X.X ± 0.03 X.XX ± 0.01 X.XXX ± 0.003		TITLE Prostar General Assembly Dimensions
DRAWN A. PROKUDIN 01.23.2006	DESIGN A. PROKUDIN 01.23.2006	APPROVED J. HAWS 01.23.2006	WELDING ±1/16 ANGULAR DIMENSIONS ±0.5° BREAK SHARP EDGES 0.02X45°	JOB NO. SCALE 1:18	SHEET 1/1 SIZE B
CAD DRAWING: CHANGE RESTRICTED / DO NOT SCALE					